

- All dimensions are plus or minus 1/2" (maximum tolerance)
- Vita Bath reserves the right to make changes without notice.
- Copyright, all rights reserved.

MODEL: 3660 HW

SIZE: 36" x 60"

EST. BOXED WEIGHT: 125 lbs. (Tub Only)

EST. BOXED WEIGHT: 178 lbs. (Whirlpool)

BOXED SIZE: 39" x 71" x 24"

AVERAGE FILL (gallons): 55

PUMP SIZE: 1.0 HP

ELECTRICAL: 110 V 20 Amp Circuit

MATERIAL: Acrylic reinforced fiberglass

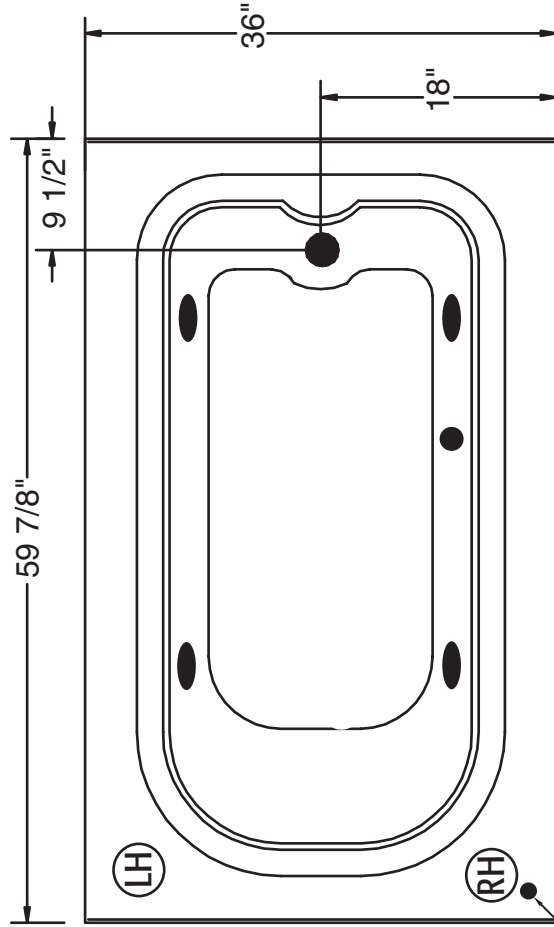
STANDARD COLORS: White, Bone, Almond, Biscuit
Sterling Silver, Linen

STANDARD FEATURES: Air Switch

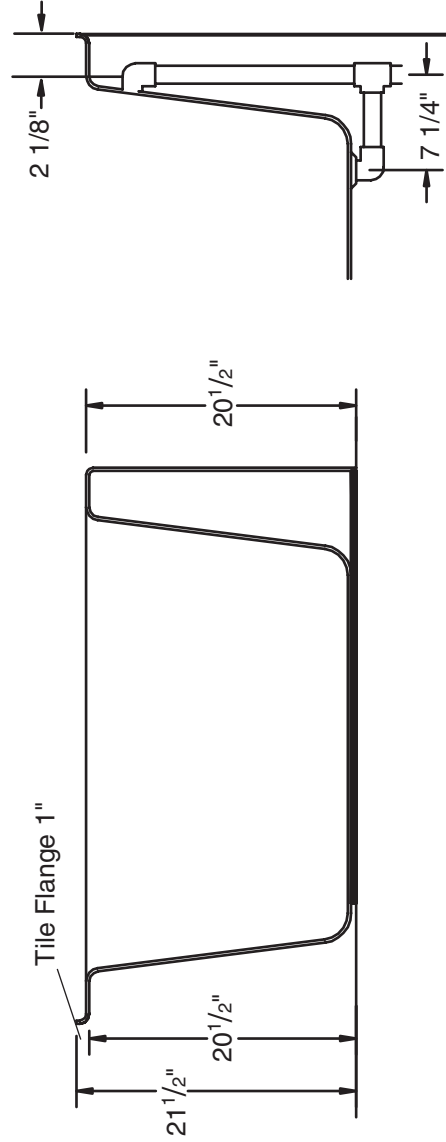
JETS: Standard 4

AIR CONTROL(S): 1

SUCTION FITTINGS: 1



On/Off Control



(LH) Left Hand Drain Pump Location

(RH) Right Hand Drain Pump Location

Interior Depth	Interior Length Top	Interior Width Top	Interior Length Bottom	Interior Width Bottom
18 ³ / ₄	53	27 ¹ / ₂	43 ¹ / ₂	21



A Division of DM Industries, Ltd.
2320 N.W. 147th St., Miami, FL 33054
Tel: (305) 685-5739 / (888) 289-8482
Fax: (305) 688-9415 / (800) 785-5222
Web Site: <http://www.vitabath.com>